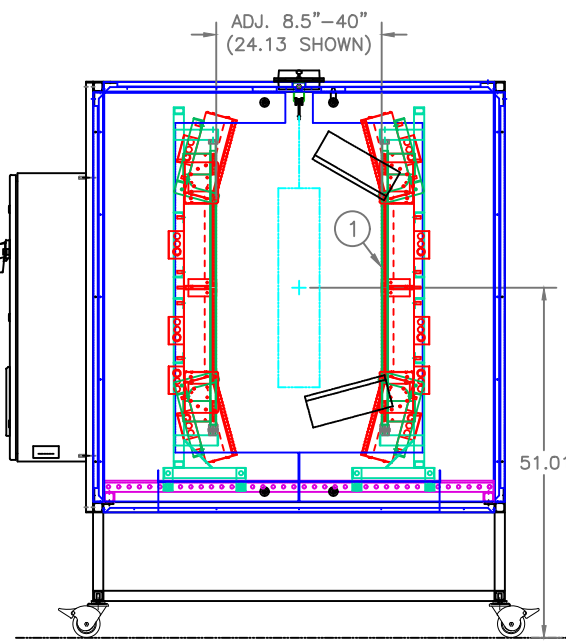
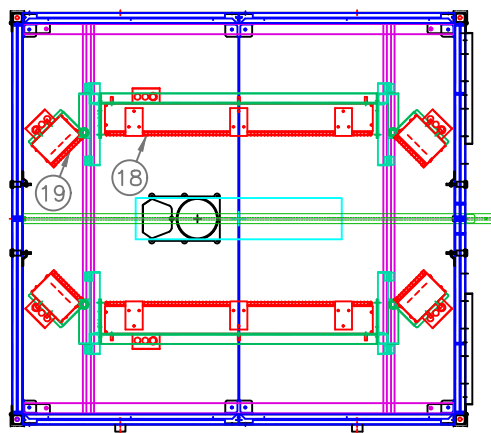
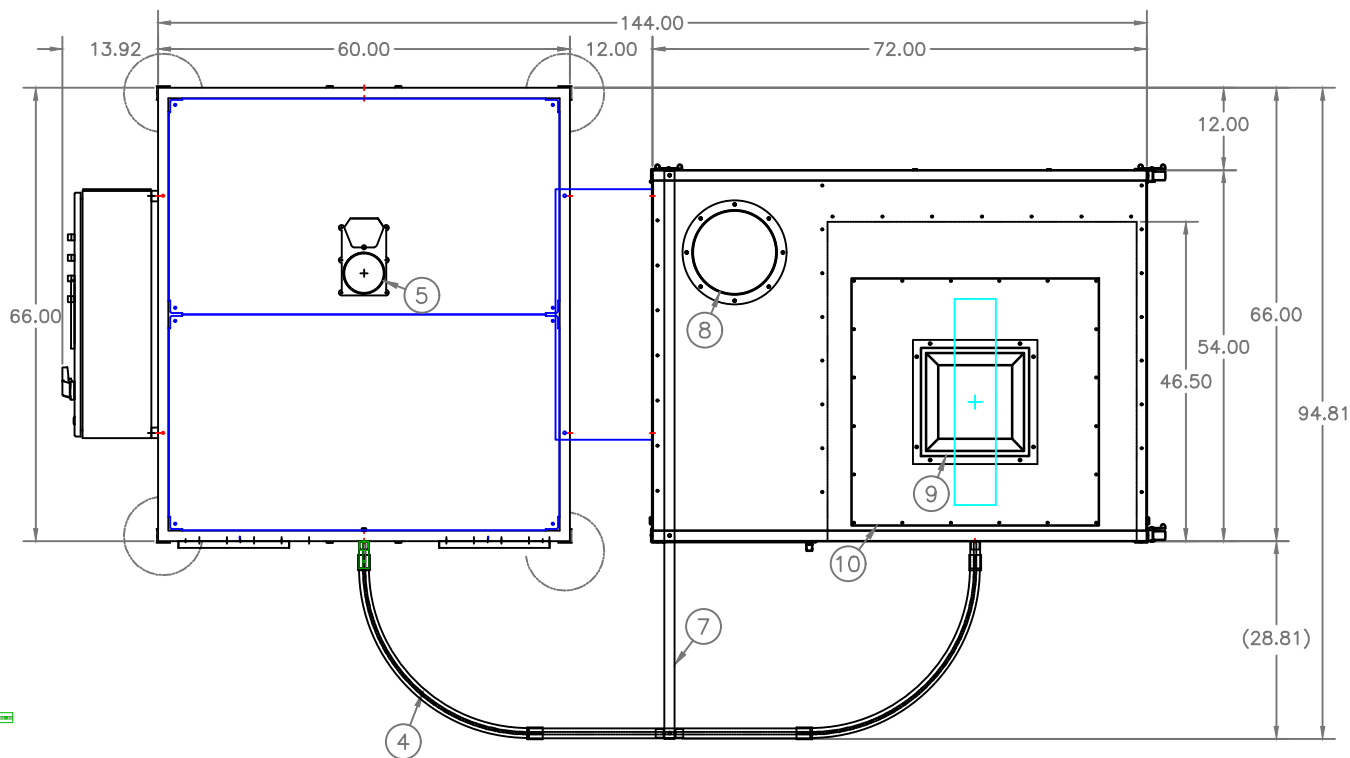
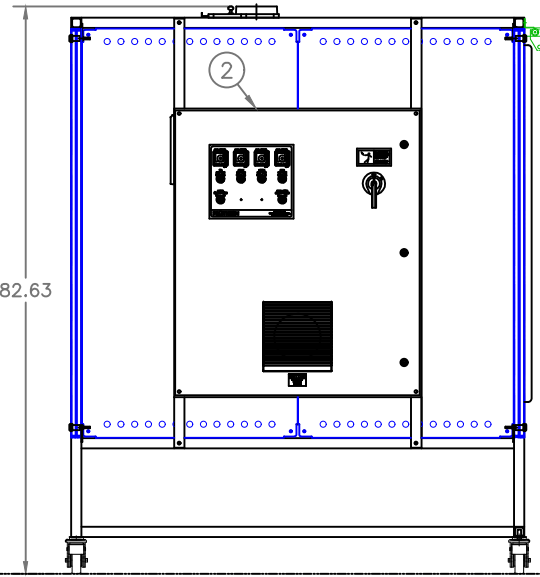


ITEM	FEATURE
1	ELECTRIC INFRARED HEATERS WITH ADJUSTABLE POWER AND POSITION
2	OPERATOR CONTROL PANEL
3	ADJUSTABLE END DOORS
4	BOLT ON OVERHEAD TROLLEY WITH MANUAL POSITION ROLLER PLATE
5	OVEN EXHAUST GATE, 6"
6	BOLT ON CONNECTING BRACKETS
7	BOLT ON TROLLEY SUPPORT BAR
8	BOOTH EXHAUST COLLAR, 12"
9	HIGH INTENSITY LED BOOTH LIGHT FOR HAZARDOUS LOCATION, 120V, 75W
10	CLEAR POLYCARB SPRAY BOOTH TOP
11	OPTIONAL STORAGE CABINET
12	SIDE DOORS FOR ACCESS TO FILTERS, EXHAUST FAN, AND AIR CHAMBER
13	RESERVED - TBD
14	AIR PRESSURE METER
15	BACKWARD CURVED IMPELLER WITH 2 HP INVERTER DUTY MOTOR
16	STAGE 1 FILTER, 1"x24"x24" POLYESTER FILTER PAD
17	STAGE 2 FILTER, 12.75"x36" CANISTERS, MERV 11, 153134 OR EQUIV
18	HORIZONTAL HEATERS, 12"x39", 7454 WATTS, 480/3Y
19	VERTICAL HEATERS, 6"x39", 3727 WATTS, 480/1
20	.

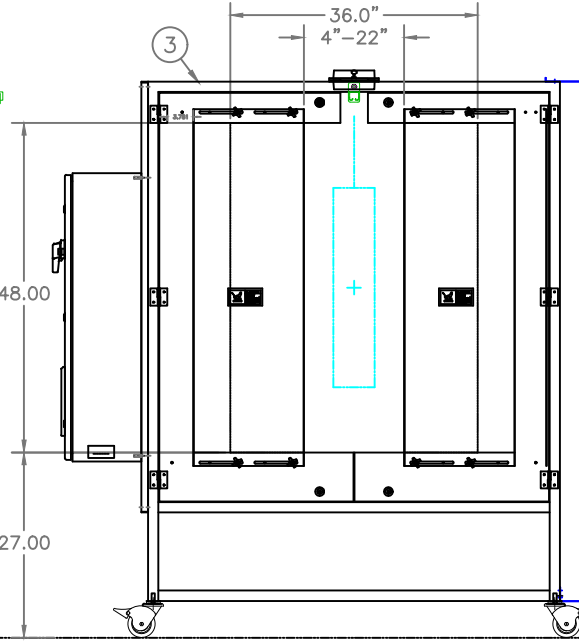
OPERATING PARAMETERS	
PRODUCT:	TBD
MAX HEIGHT:	<36"
MAX WIDTH:	<30"
MAX DEPTH:	<30"
CONVEYOR SPEED:	MANUAL
SYSTEM VOLTS/PHASE:	480/3
MAX CURRENT LOAD:	97,97,88 AMPS
TOTAL HTR WATTS:	89.5



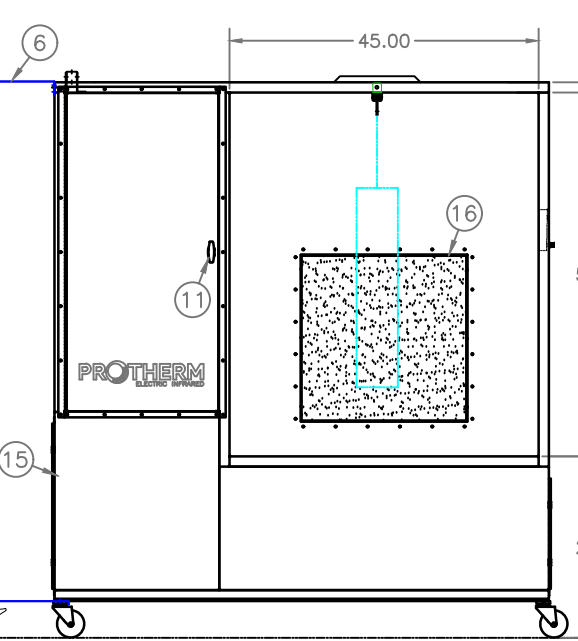
OVEN FRONT SECTIONAL VIEW



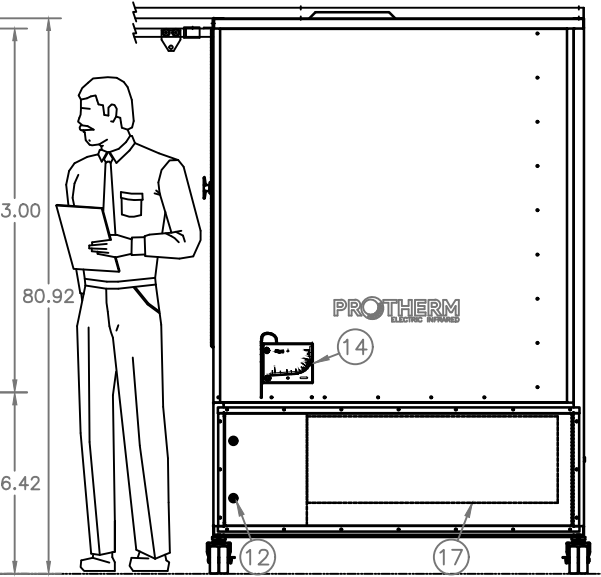
OVEN LEFT SIDE VIEW



OVEN FRONT VIEW



SPRAY BOOTH FRONT VIEW



SPRAY BOOTH RIGHT SIDE VIEW

- 3) TOP, BOTTOM, AND END HEATERS ALL MANUALLY ROTATE TO 90 DEGREES.
- 2) OVEN AND SPRAY BOOTH PAINTED EIDER WHITE
- 1) SPRAY BOOTH DESIGNED FOR POWDER APPLICATION ONLY! LIQUID WILL REQUIRE DIFFERENT FILTERS.

	PROTHERM LLC 801 CENTRAL AVE N BRANDON MN 56315 USA WWW.PRO-THERM.COM	DRAWN BY KDW				
		DATE 28MAR25				
	THIS PRINT CONTAINS CONFIDENTIAL INFORMATION WHICH IS THE PROPERTY OF PROTHERM LLC. BY ACCEPTING THIS INFORMATION, THE BORROWER AGREES THAT IT WILL NOT BE USED FOR ANY PURPOSE OTHER THAN THAT FOR WHICH IT IS LOANED!	SCALE NONE				
	COMPANY/PART NAME PROTHERM SALES	DRAWING NO. MM M SALES				
NO	REVISION	BY	DATE	MAT'L MINI-MOBILE MAX SPRAY & CURE SYS	SHEET NO. 1 OF 1	QTY 1